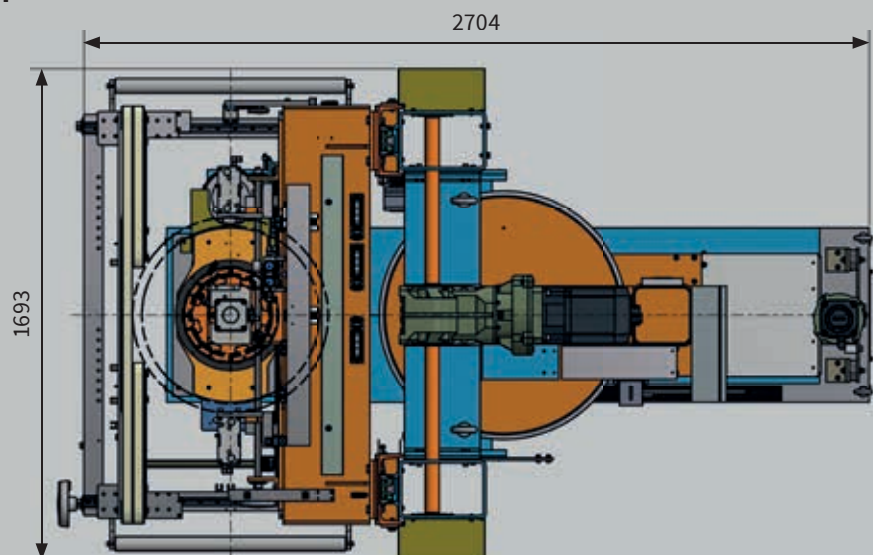


## What matters

- 6,5" of rim width range allows a wide spectrum of tire dimensions
- Fast and precise control of the filling pressure as the basic prerequisite for good measured values and short cycle times
- Very compact design leads to the smallest possible footprint for a Uniformity machine
- Patented conicity correction is done on system level which saves time
- Load wheel with highest wear resistance and tight tolerances
- High availability due to large maintenance intervals
- Good accessibility of all major components
- Outstanding repeat accuracy of the long time proven Seichter machine concept
- Very flexible configuration of the test by recipe
- Energy recovery reduces the consumption of electrical energy
- 1 to 31 harmonics

## Footprint



### Seichter GmbH

+49 (0) 511 87597-0  
contact@seichter.com  
www.seichter.com

Esperantostraße 8  
30519 Hannover, Germany



# Uniformity Measurement

Final Finish for Passenger, Light Truck and Motorcycle Tires

**Machine data**

Rim diameter	12" to 25"
Machine rim width range	6.5"
Load wheel	ø 854 mm x 16" width
Height	2.360 mm

**Tire data**

	Min	Max
Bead diameter	12"	25"
Bead width	2.5"	14"
Outside diameter	476 mm	950 mm
Tire cross section	127 mm	400 mm
Tire weight	5 kg	50 kg

**Technical specifications for uniformity**

Measurement range lateral	9 kN
Measurement range radial	18 kN
Test pressure	Max 500kPa
Measurement speed	60 min <sup>-1</sup> – 90 min <sup>-1</sup>
Repeat accuracy (s)* radial force & harmonics	≤ 2 N
Repeat accuracy (s)* lateral force & harmonics	≤ 2 N
Repeat accuracy (s)* conicity	≤ 2 N
Repeat accuracy (s)* test load	≤ 20 N
Repeat accuracy (s)* test pressure	≤ 0.1 kPa
Repeat accuracy (s)* test pressure fluctuacion	≤ 0.2 kPa
Cycle time 1 rotating direction**	16 s
Cycle time 2 rotating directions**	20 s

**Seichter GmbH**

+49 (0) 511 87597-0  
contact@seichter.com  
www.seichter.com

Esperantostraße 8  
30519 Hannover, Germany



\* (s) = Average standard deviation

\*\* Measurement conditions: 10 x 10 test, verifiably tested master tires 16" (205/55 R16) with stable values, test pressure 200 kPa, rim contour as per WDK 109, tire mounting lubricant Dr. Schnell C12